



PLANT SAFETY IS JUST A QUESTION OF **PROPER TECHNOLOGY**

Safe-Ring. The flange guard with diffuser and snap-lock

A spray protection ring for flange connections, which intelligently combines principles of fluid dynamics through its functional design. If a seal fails, an escaping fluid jet is effectively diminished through a special diffuser between the flanges and hazardous spraying is safely prevented. For heavy demands on plant safety.

www.safe-ring.com

SAFE-RING®
engineered flange safety



Safe-Ring SRP

Material polypropylene, red, UV-stabilised
Operational temperature range -40 °C to +100 °C
Sizes for DIN EN 1092-1 and ANSI B 16.5

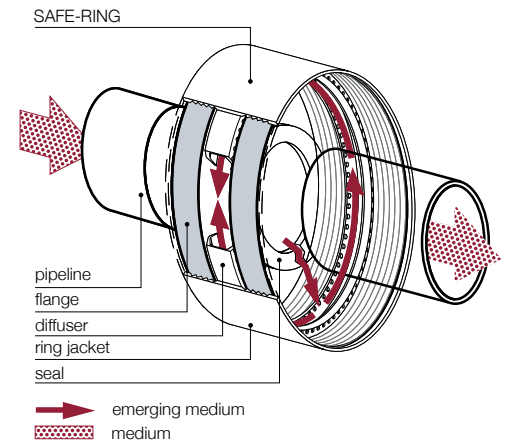
Safe-Ring SRM

Material stainless steel (Material No. 1.4571, ASTM 316 Ti)
Operational temperature range -40 °C to +400 °C
Sizes for DIN EN 1092-1 and ANSI B 16.5

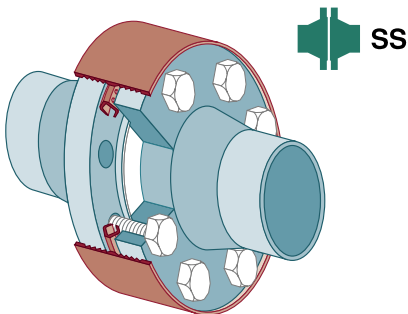
Performance at its best. Conventional spray shields that are merely mounted around the outside of a flange only deflect escaping fluid jets in the direction of the pipe when a seal fails. In contrast, with its innovative diffuser technology, the Safe-Ring provides the type of protection expected from safety equipment in the event of an emergency. The escaping fluid simply flows off downward without spraying.

Functional design. The diffuser of the Safe-Ring was designed as a c-shaped channel that clamps directly between the flange faces serving as an impact and deflecting surface. In the case of damage, the flow rate of an escaping fluid jet is safely slowed down through enlargement of the cross-section and massive turbulence in the intermediate space of the flanges. The snap-lock enables installation in a matter of seconds without tools.

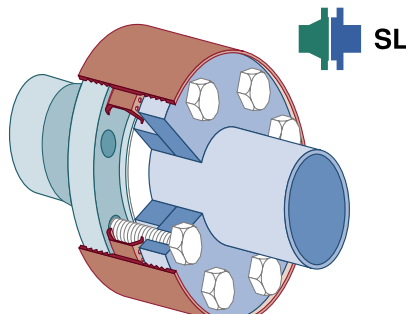
UNIQUE DIFFUSER WITH OPTIMISED DEFLECTION PROPERTIES



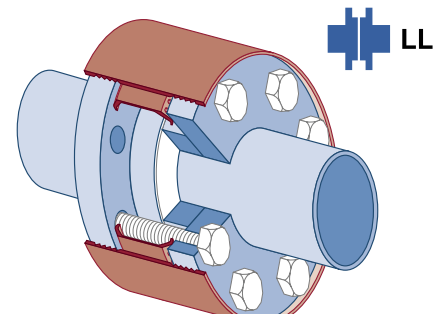
Appropriate for the type. There are three types of Safe-Rings with respective diffuser widths suitable for the respective flange distance of various flange combinations.



Type SS. Diffuser width for steel flange connections comprised of two weld-neck flanges (as well as two loose-type flanges with flare)



Type SL. Diffuser width for steel flange connections comprised of a weld-neck flange and a loose-type flange with collar



Type LL. Diffuser width for steel flange connections comprised of two loose-type flanges with collar

More info at www.safe-ring.com

Exclusive distributor in the Netherlands

Prodim Netherlands B.V.
 Jacoba van Heinsbergstraat 24
 NL-4854 Ej Bavel
 Tel. +31 (0)76 532 96 16
 info@prodim.biz
 www.prodim-valves.nl